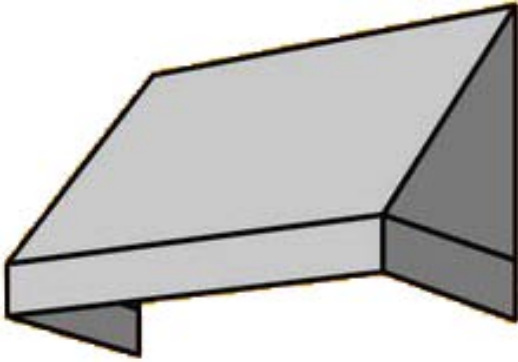


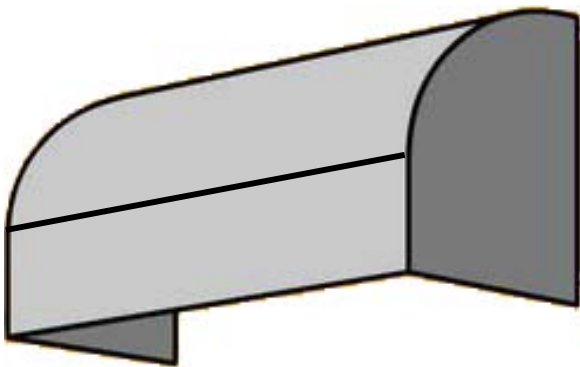
Awning Styles Page 1



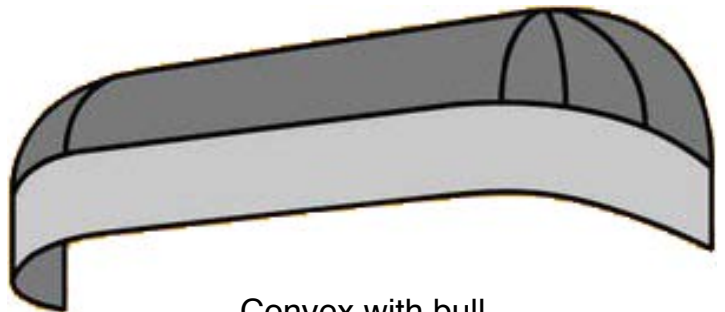
Shed with valence



Shed with no wings
and no valence



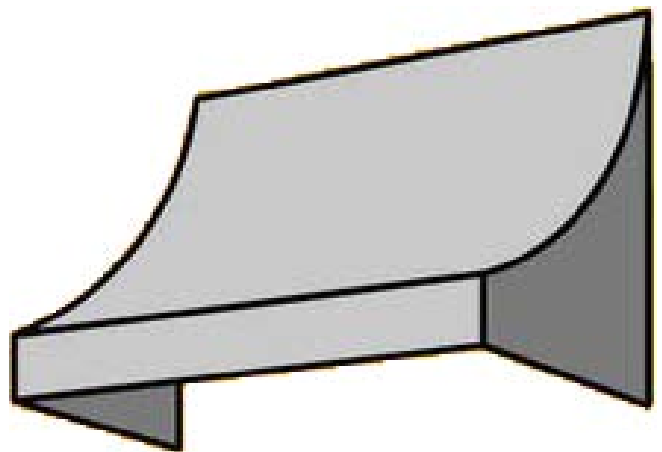
Convex with valence



Convex with bull
nosed ends

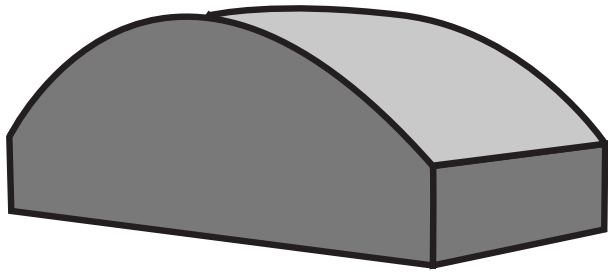


Bull Nose

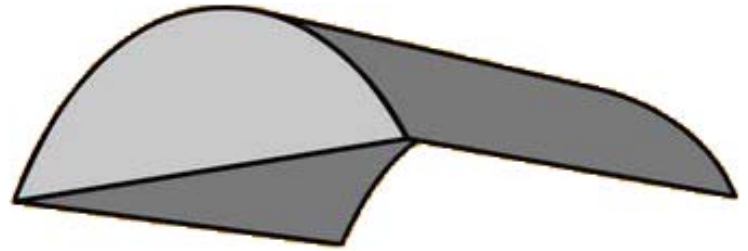


Concave

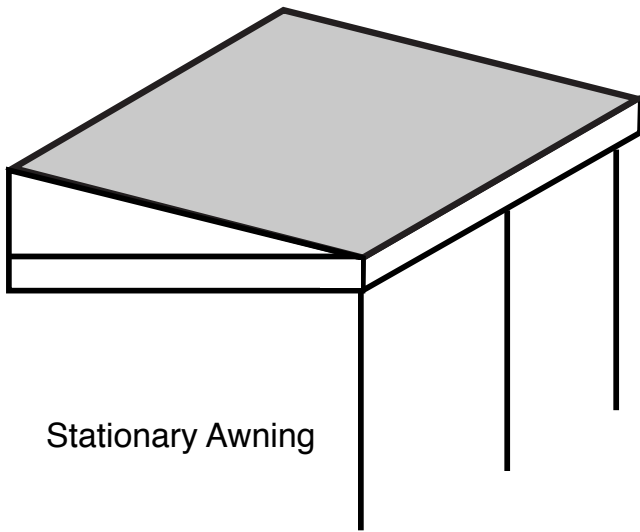
Awning Styles Page 2



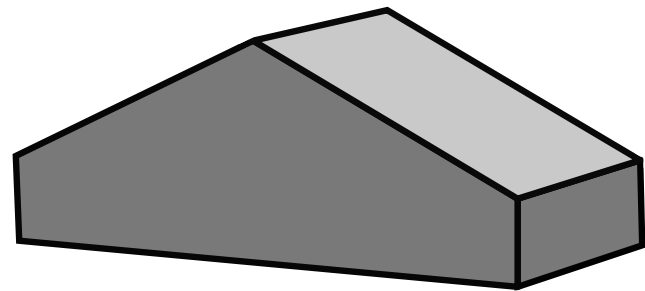
Arch with valence



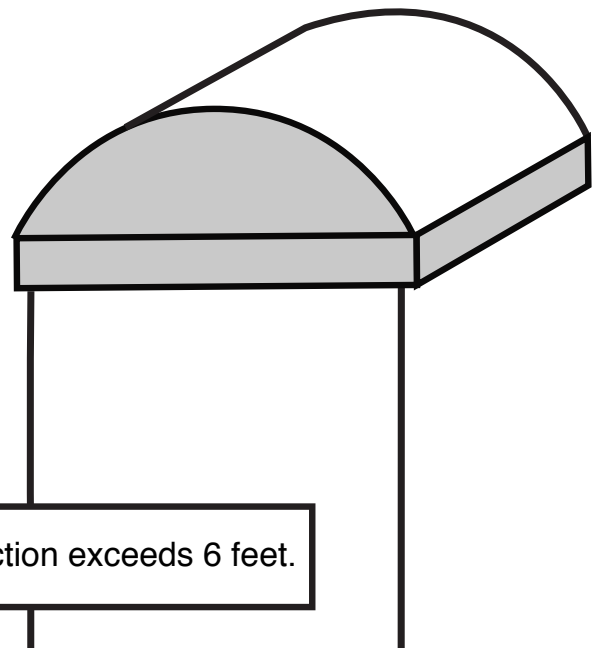
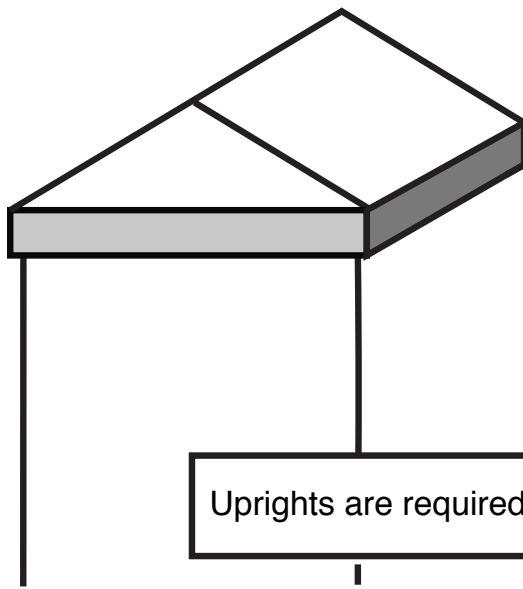
Arch with no valence



Stationary Awning



Aframe



Uprights are required when projection exceeds 6 feet.