

HV Low Profile **Decorative** Bahama Colonial System



- Provides shade for commercial or residential applications
- Increase LEED Rating of your "Green" Project
- Perfect for mixed-use projects, open air malls, restaurants, etc.

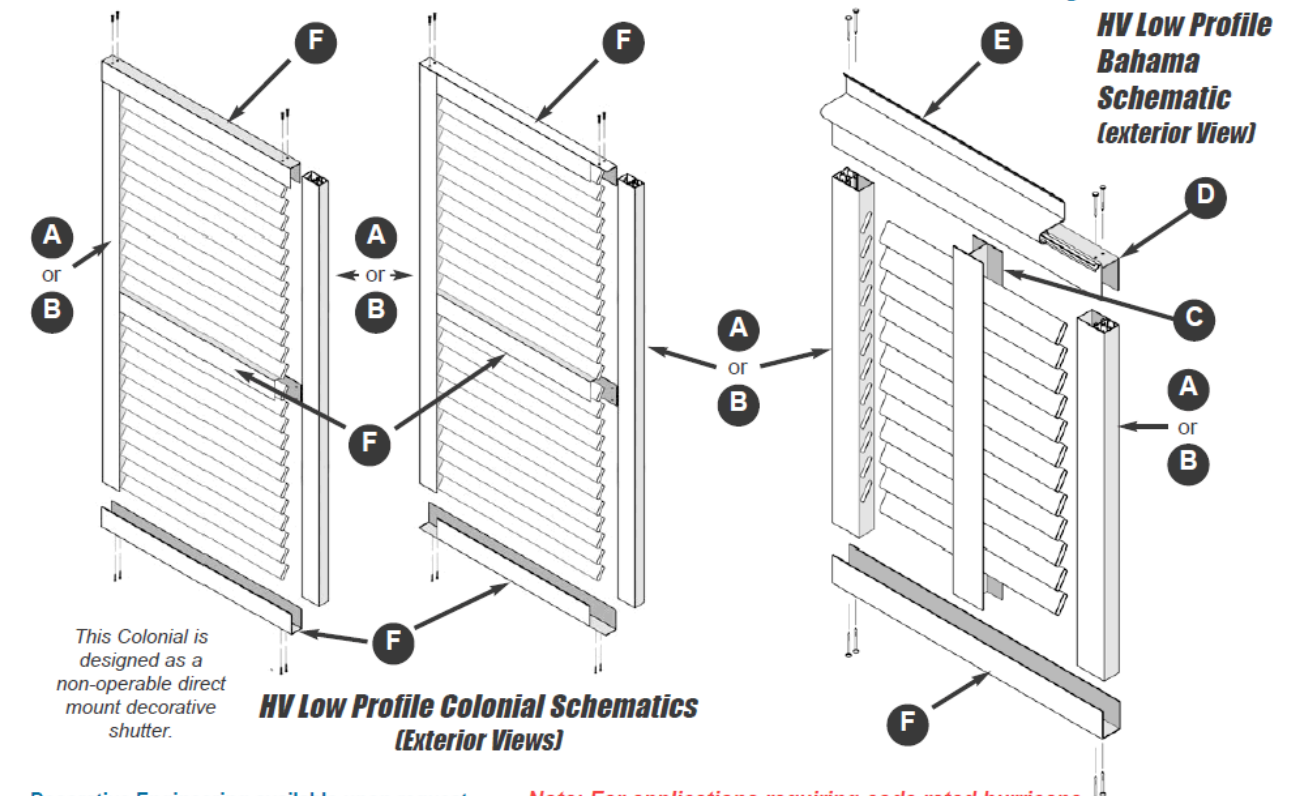


Currently available for decorative applications; Future Hurricane code testing pending

- Increase your product offering with minimal investment
- Cost effective for commercial applications
- New pre-fabbed side rails & mullions eliminate need to mechanically fasten the blades, resulting in labor reduction of over 50% compared to traditional Bahama shutter assemblies
- Easy & Fast mechanical frame fastening assembly resulting in a functional product
- Provided in mill finish to allow the fabricator the flexibility to match colors to the building design after assembly
- Upscale look providing a durable product for years to come with little maintenance



HV Low Profile **Decorative** Bahama Colonial System

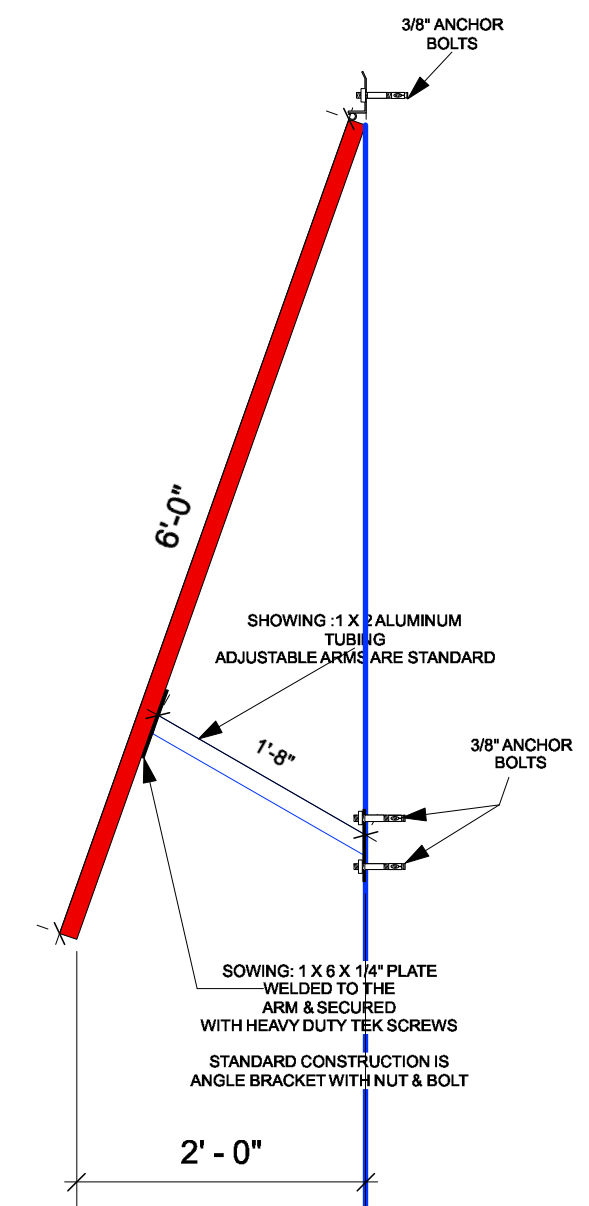
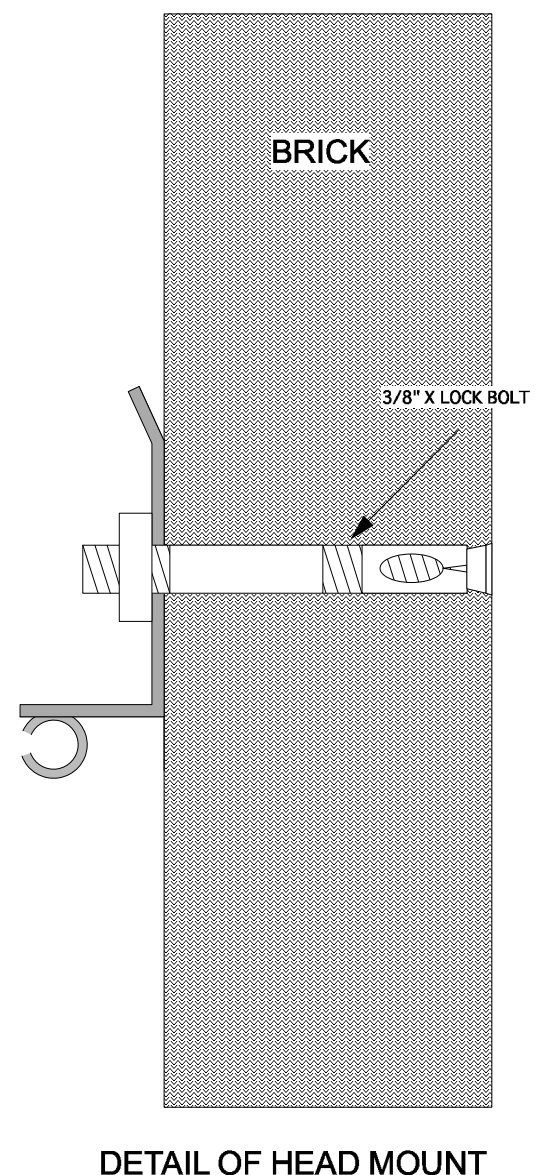
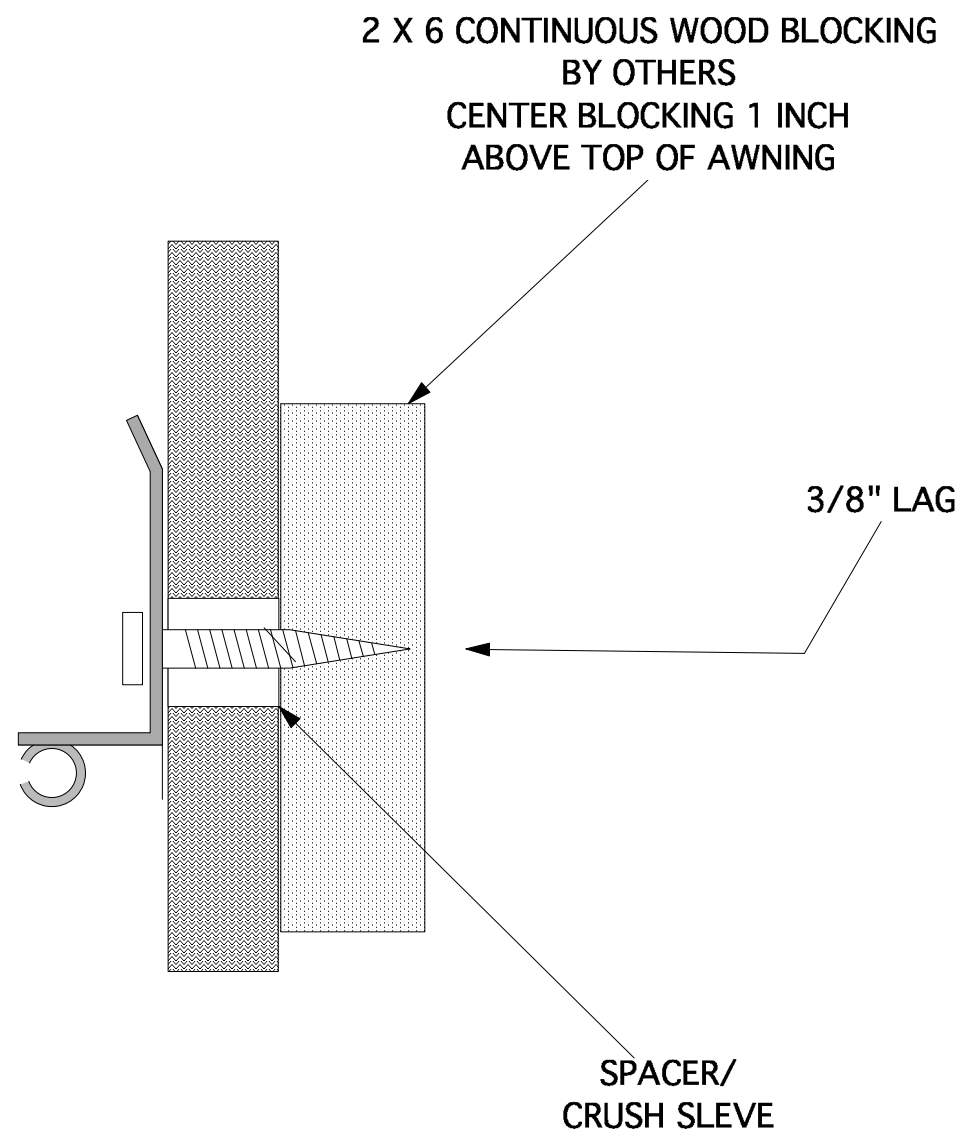


Decorative Engineering available upon request. All rivets & screws are commercially available. *Note: For applications requiring code rated hurricane protection refer to EMS High Visibility Bahama/Colonial product.*

HV LOW PROFILE SIDE FRAME PUNCHED for 1-1/4" Blades 41-63-832L125 (Left) 41-63-832R125 (Right)	HV LOW PROFILE SIDE FRAME PUNCHED for 2" Blades 41-63-832L200 (Left) 41-63-832R200 (Right)	HV LOW PROFILE BAHAMA PUNCHED CENTER MULLION 41-63-838P125 (1-1/4" blade) 41-63-838P200 (2" blade) for wider spans	HV LOW PROFILE BAHAMA FRAME MALE HINGE x 12' 41-63-837 Mill Finish NOT PRE-PUNCHED	HV LOW PROFILE BAHAMA FRAME FEMALE HINGE x 20' 41-63-803 Mill Finish NOT PRE-PUNCHED	HV LOW PROFILE TOP & BOTTOM FRAME x 12' 41-63-833 Mill Finish NOT PRE-PUNCHED Also used as an intermediate rail in Colonials
Left Right 	Left Right 				

Currently available for decorative applications; Future Hurricane code testing pending

BAHAMA SHUTTERS		
SCALE NONE	BALTIMORE CANVAS PRODUCTS 60 AILERON COURT UNIT 3 WESTMINSTER, MD 21157 410-947-7890 FAX 410-945-4862	PAGE 1 OF 2



BAHAMA SHUTTERS		
SCALE VARIES	BALTIMORE CANVAS PRODUCTS 2861 WEST FRANKLIN STREET BALTIMORE, MARYLAND 21223 410-947-7890 FAX 410-945-4862	PAGE 2 OF 2