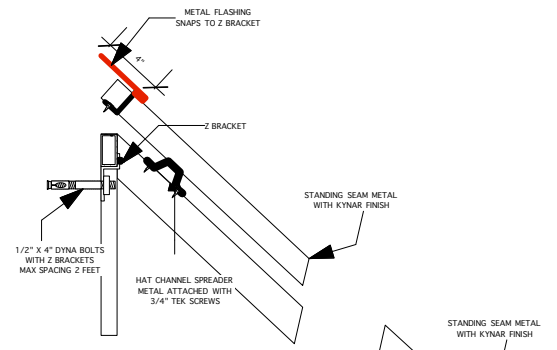


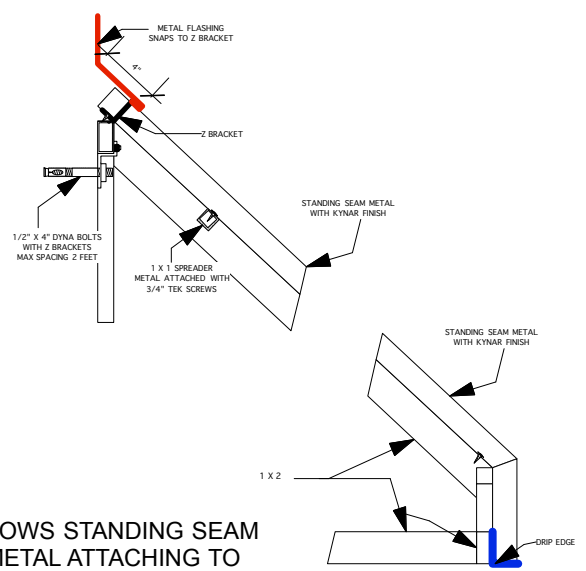
SHOWS STANDING SEAM METAL ATTACHING TO 1 X 2 ALUM TUBING



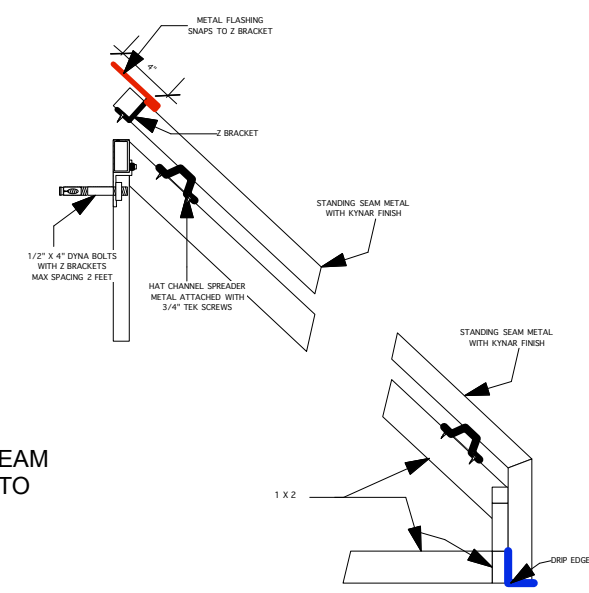
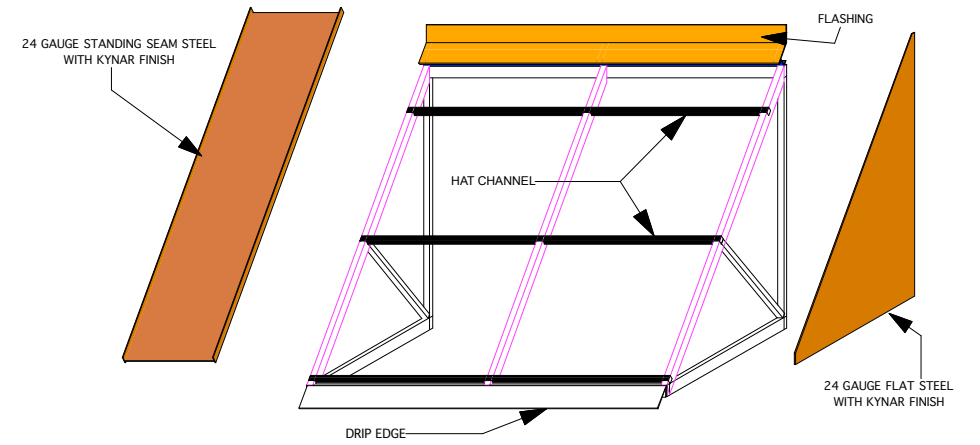
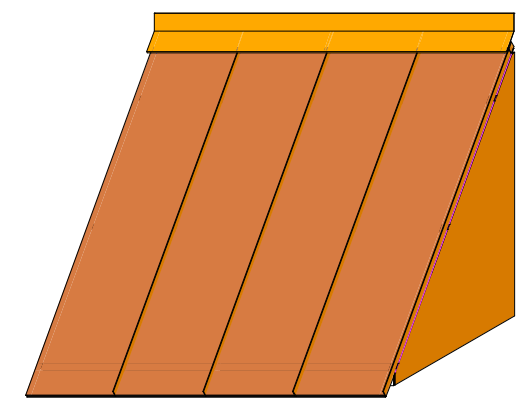
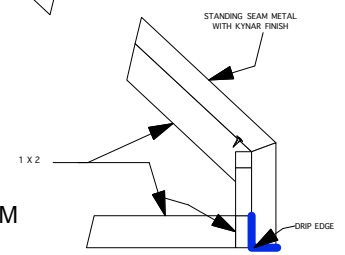
SHOWS STANDING SEAM METAL ATTACHING TO HAT CHANNEL

GENERAL NOTES  
 FRAME:  
 HEAVY DUTY T6063 ALUMINUM TUBING. ALL JOINTS ARE MIG WELDED GROUND AND CLEANED. HEAD, VALENCE BAR, RAFTERS, AND ARMS ARE 1 X 2. ALL OTHER TUBING IS 1 X 1.  
 COVER:  
 ROOF:  
 24 GAUGE STANDING SEAM METAL WITH KYNAR FINISH  
 WINGS:  
 24 GAUGE SHEET METAL WITH KYNAR FINISH  
 INSTALLATION:  
 MOUNTING HEIGHT FIELD VERIFIED  
 INSTALLED IN BLOCK

GENERAL NOTES  
 FRAME:  
 HEAVY DUTY T6063 ALUMINUM TUBING. ALL JOINTS ARE MIG WELDED GROUND AND CLEANED. HEAD, VALENCE BAR, RAFTERS, AND ARMS ARE 1 X 2. ALL OTHER TUBING IS 1 X 1.  
 COVER:  
 ROOF:  
 24 GAUGE STANDING SEAM METAL WITH KYNAR FINISH  
 WINGS:  
 24 GAUGE SHEET METAL WITH KYNAR FINISH  
 INSTALLATION:  
 MOUNTING HEIGHT FIELD VERIFIED  
 INSTALLED IN BLOCK



SHOWS STANDING SEAM METAL ATTACHING TO 1 X 1 ALUM TUBING



SHOWS STANDING SEAM METAL ATTACHING TO HAT CHANNEL

TYPICAL METAL AWNING DETAILS		
SCALE VARIES	<b>BALTIMORE CANVAS PRODUCTS</b> 60 AILERON COURT UNIT 3 WESTMINSTER, MD 21157 410-947-7890 FAX 410-945-4862	PAGE
APRIL 4, 2022		1 OF 1